

Illustrated Parts List

Model Series

138400 to 138499

TYPE NUMBERS

0035, 0038, 0042,
0047, 0084, 0120,
0127, 0128, 0131,
0132, 0133, 0140,
0141, 0144, 0145,

TYPE NUMBERS

0146, 0147, 0152,
0153, 0154, 0155,
0157, 0158, 0159,
0160, 0166, 0169,
0175, 0284.

**TO FIND
THE CORRECT NUMBER OF THE PART YOU NEED:
FOLLOW THE INSTRUCTIONS BELOW**

- A. Refer to Engine Model, Type and Code Number that is stamped on the blower housing of engine. Engine type numbers such as 0123 01 are listed only as 0123 in most instances. The two digits (01 or 02, etc.) to the right of the space may be required for more accurate parts identification in some instances. Select the Illustrated Parts List covering the correct Model Series and Type Number.
- B. Refer to the Illustrations and compare the original part with Illustration. The number next to the illustration is the Reference Number. Assemblies include all parts shown in frames. All parts shown in assembly frames having individual reference numbers can be purchased separately.
- C. After the Reference Number has been identified, refer to the Numerical text, where Reference and Primary Part Number are listed. **THE PRIMARY PART IS USED ON ALL TYPE NUMBERS EXCEPT THOSE TYPE NUMBERS UNDER "NOTE."**
- D. If a "Note" appears below the Primary Part Number, it means that this part differs from the Primary Part for certain types. If your Type number is listed under "Note," order the part referred to at the "Note."
- E. If your Engine Type Number does not appear after any part number listed under "Note," use the Primary Part Number.
- F. For Engine Type Numbers not covered by this book, check other Parts Lists having the same engine model or contact your source of supply.

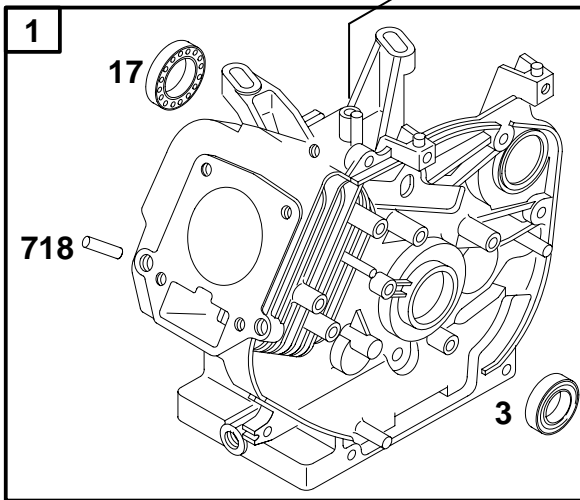
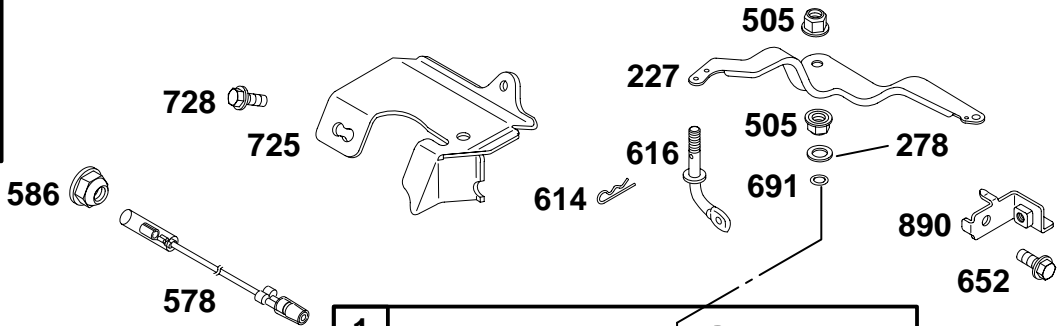
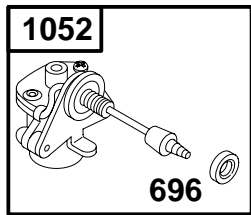
PRINTED IN U.S.A.

BRIGGS & STRATTON



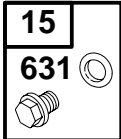
COPYRIGHT by BRIGGS & STRATTON CORPORATION
All rights reserved. No part of this material may be reproduced or transmitted, in any form or by any means, electronic or mechanical, including photocopying, recording or by any information storage and retrieval system, without permission in writing from Briggs & Stratton Corporation.

138400 to 138499



1019 LABEL KIT

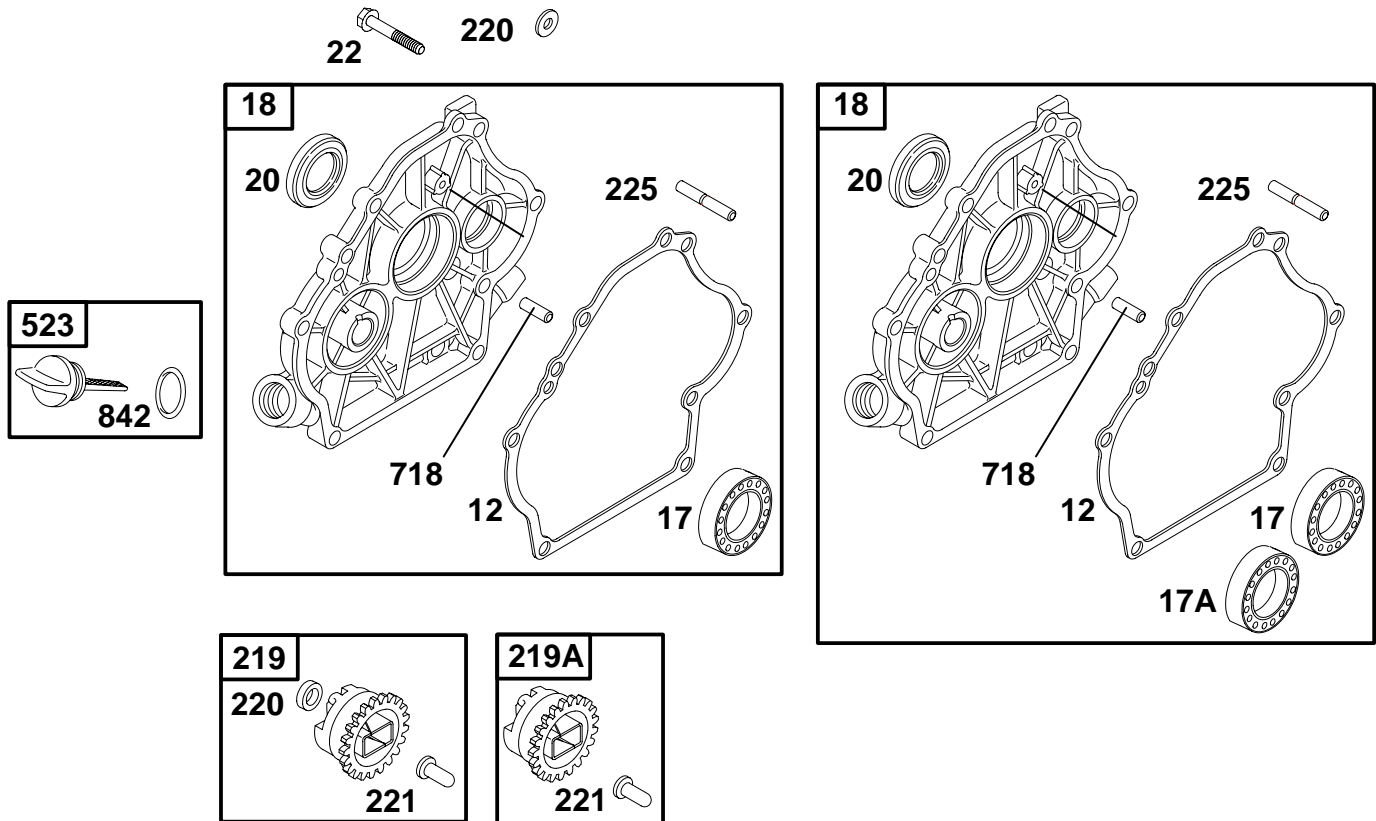
1058 OWNER'S MANUAL



REF. NO.	PART NO.	DESCRIPTION	REF. NO.	PART NO.	DESCRIPTION	REF. NO.	PART NO.	DESCRIPTION
1	715461	Cylinder Assembly Note 715462 Cylinder Assembly Used on Type No(s). 0084, 0127, 0155, 0169, 0284. 715528 Cylinder Assembly Used on Type No(s). 0120, 0131, 0133, 0141, 0144, 0147, 0152, 0153, 0157, 0160.	227	710051	Lever—Governor Control	691	★710055	Seal—Governor Shaft
			278	710058	Washer (Governor Control Lever)	696	★710091	O—Ring Seal (Oil Sensor)
			306	710063	Shield—Cylinder	718	710005	Pin—Locating
			307	710023	Screw (Cylinder Shield)	725	710102	Shield—Heat
			505	710059	Nut (Governor Control Lever)	728	710023	Screw (Heat Shield)
			578	710308	Wire Assembly	890	715136	Bracket—Support
			586	710090	Nut (Oil Sensor)	1019	715031	Kit—Label
			614	710056	Pin—Cotter	1052	715353	Sensor—Oil
			616	710636	Crank—Governor	1058	273678	Owner's Manual (Used After Code Date 97063000). Note 273126 Owner's Manual (Used Before Code Date 97070100).
			631	★710004	Washer (Oil Drain Plug)			
3	★710000	Seal—Oil (Magneto Side)	652	710023	Screw (Support Bracket)			
15	715000	Plug—Oil Drain						
17	710003	Bearing—Ball						

● Included in Carburetor Overhaul Kit—Ref. No. 121.
★ Included in Engine Gasket Set—Ref. No. 358.

◆ Included in Carburetor Gasket Set—Ref. No. 977.
△ Included in Valve Gasket Set—Ref. No. 1095.

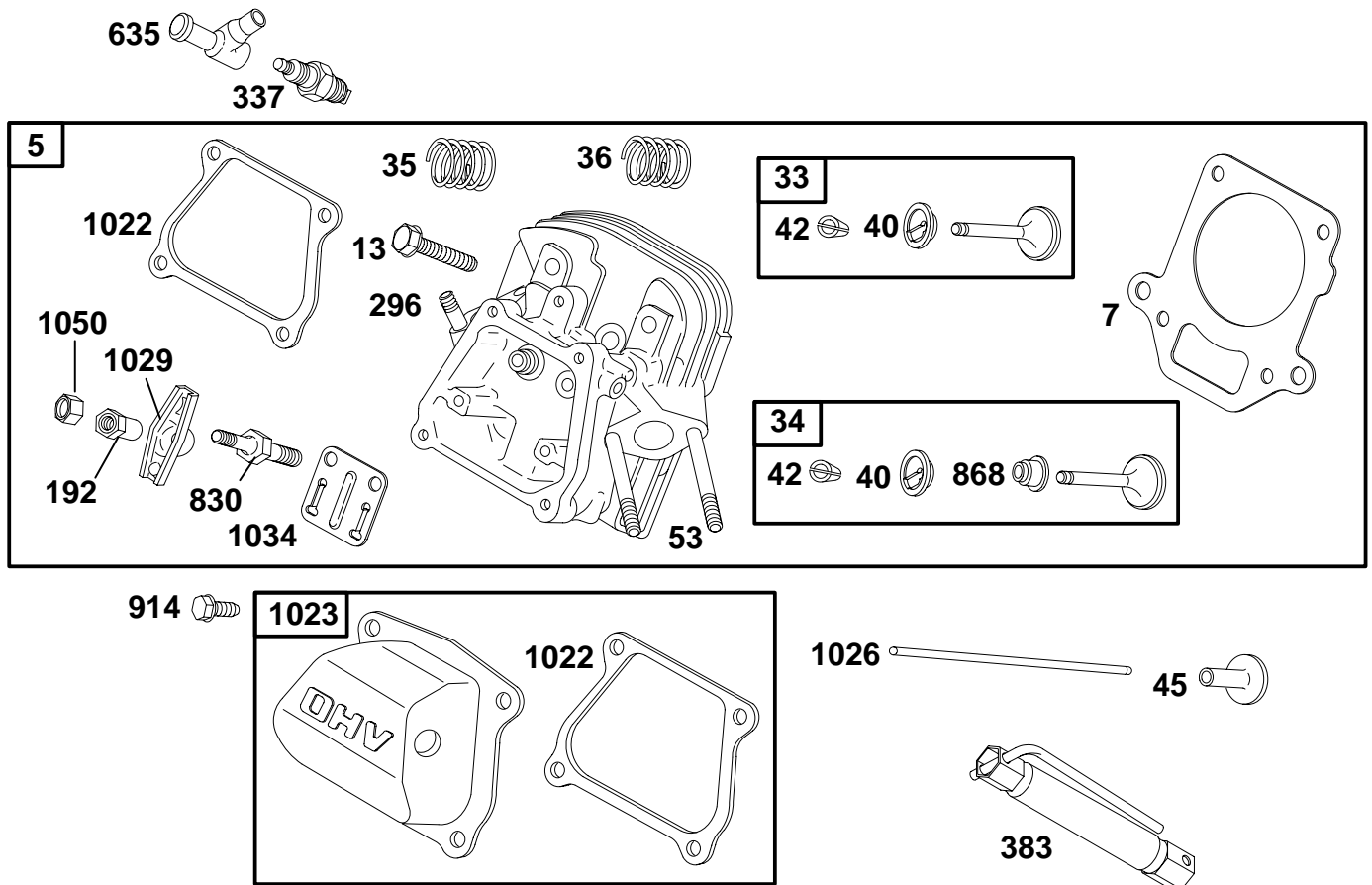


REF. NO.	PART NO.	DESCRIPTION	REF. NO.	PART NO.	DESCRIPTION	REF. NO.	PART NO.	DESCRIPTION
12	★710628	Gasket-Crankcase	20	★710215	Seal-Oil (PTO Side)	219	715696	Gear-Governor (Used After Code Date 99073100).
17	710003	Bearing-Ball			Note —	219A	715341	Gear-Governor (Used Before Code Date 99080100).
17A	710790	Bearing-Ball			★710788 Seal-Oil (PTO Side)	220	710035	Washer (Governor Gear)
		Used on Type No(s). 0131, 0132, 0144, 0145, 0152, 0160, 0169,			Used on Type No(s). 0131, 0132, 0144, 0145, 0152, 0160, 0169,	221	710027	Cup-Governor
18	715463	Cover-Crankcase	22	710032	Screw (Crankcase Cover/Sump)	225	710028	Shaft-Governor Gear
18	715597	Cover-Crankcase (Includes 710790 Ball Bearing)			Note —	523	715588	Dipstick
		Used on Type No(s). 0131, 0132, 0144, 0145, 0152, 0160, 0169			710306 Screw (Crankcase Cover/Sump)	718	710005	Pin-Locating
						842	★710029	O-Ring Seal (Dipstick)

● Included in Carburetor Overhaul Kit-Ref. No. 121.
 ★ Included in Engine Gasket Set-Ref. No. 358.

◆ Included in Carburetor Gasket Set-Ref. No. 977.
 △ Included in Valve Gasket Set-Ref. No. 1095.

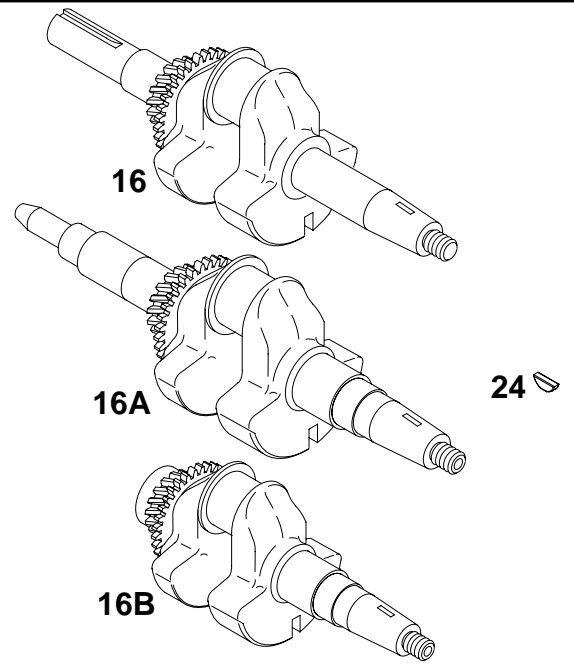
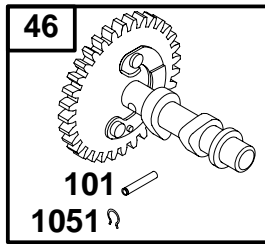
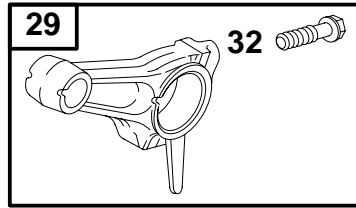
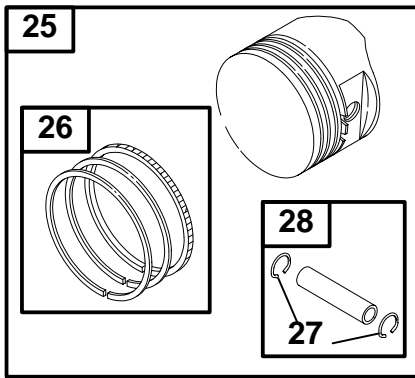
138400 to 138499



REF. NO.	PART NO.	DESCRIPTION	REF. NO.	PART NO.	DESCRIPTION	REF. NO.	PART NO.	DESCRIPTION
5	715444	Head-Cylinder	45	710008	Tappet-Valve	914	710023	Screw
7	★Δ710624	Gasket-Cylinder Head	53	710148	Stud			(Rocker Arm Cover)
		Note	192	710015	Adjuster-Rocker Arm	1022	★Δ710626	Gasket-Rocker Cover
		710539 Gasket-Cylinder Head	296	710099	Stud (Muffler)	1023	715450	Cover-Rocker Arm
		Used on Type No(s). 0140, 0155, 0284.	337	491055	Sparkplug	1026	710622	Rod-Push
13	710020	Screw (Cylinder Head)	383	19374	Wrench-Sparkplug	1029	710014	Arm-Rocker
33	715445	Valve-Exhaust	635	710634	Boot-Sparkplug	1034	710017	Guide-Push Rod
34	715446	Valve-Intake	830	710016	Stud-Rocker Arm	1050	710007	Nut (Rocker Arm)
35	710011	Spring-Valve (Intake)	868	Δ710863	Seal-Valve (Used After Code Date 99073100).			
36	710011	Spring-Valve (Exhaust)			Note			
40	710012	Retainer-Valve			Δ710019 Seal-Valve (Used Before Code Date 99080100).			
42	715130	Keeper-Valve						

● Included in Carburetor Overhaul Kit-Ref. No. 121.
 ★ Included in Engine Gasket Set-Ref. No. 358.

◆ Included in Carburetor Gasket Set-Ref. No. 977.
 Δ Included in Valve Gasket Set-Ref. No. 1095.

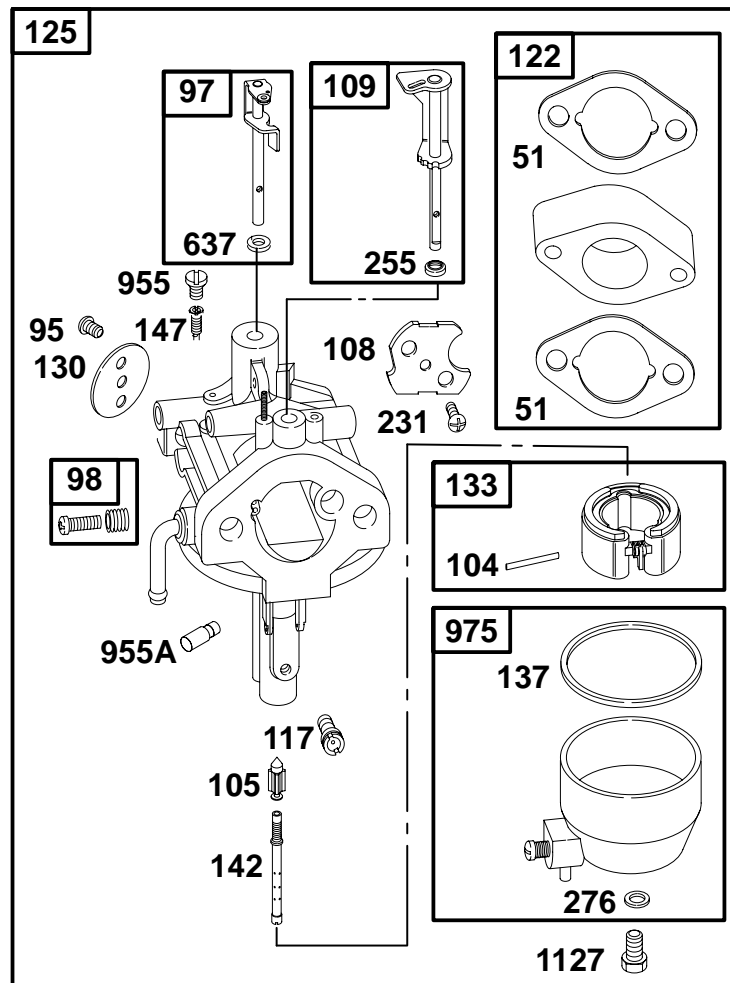


REF. NO.	PART NO.	DESCRIPTION	REF. NO.	PART NO.	DESCRIPTION	REF. NO.	PART NO.	DESCRIPTION
16	715426	Crankshaft (SAE 1" Keyway) Used on Type No(s). 0035, 0084, 0120, 0133, 0140, 0141, 0147, 0153, 0155, 0157, 0159, 0166, 0284.	24	710037	Key-Flywheel	29	715427	Rod-Connecting (Standard)
	715499	Crankshaft (SAE 3/4" Keyway) Used on Type No(s). 0047, 0127.	25	715594	Piston Assembly (Standard)			Note 715502 Rod-Connecting (.020 O.S.)
16A	715469	Crankshaft (SAE Taper) Used on Type No(s). 0038, 0042, 0158.			Note 715596 Piston Assembly (.010 O.S.) 715595 Piston Assembly (.020 O.S.)	32	710095	Screw (Connecting Rod)
16B	715592	Crankshaft (2:1 Gear Reduction) Used on Type No(s). 0131, 0132, 0144, 0145, 0152, 0160, 0169.	26	715452	Ring Set (Standard)	46	715451	Camshaft
					Note 715453 Ring Set (.010 O.S.) 715454 Ring Set (.020 O.S.)			Note 715606 Camshaft Used on Type No(s). 0131, 0132, 0144, 0145, 0152, 0160, 0169.
			27	710040	Lock-Piston Pin	101	710616	Pin-Shaft
			28	715455	Pin-Piston			Note 710340 Pin-Shaft Used on Type No(s). 0131, 0132, 0144, 0145, 0152, 0160, 0169.
						1051	710039	Ring-Retaining

● Included in Carburetor Overhaul Kit-Ref. No. 121.
★ Included in Engine Gasket Set-Ref. No. 358.

◆ Included in Carburetor Gasket Set-Ref. No. 977.
△ Included in Valve Gasket Set-Ref. No. 1095.

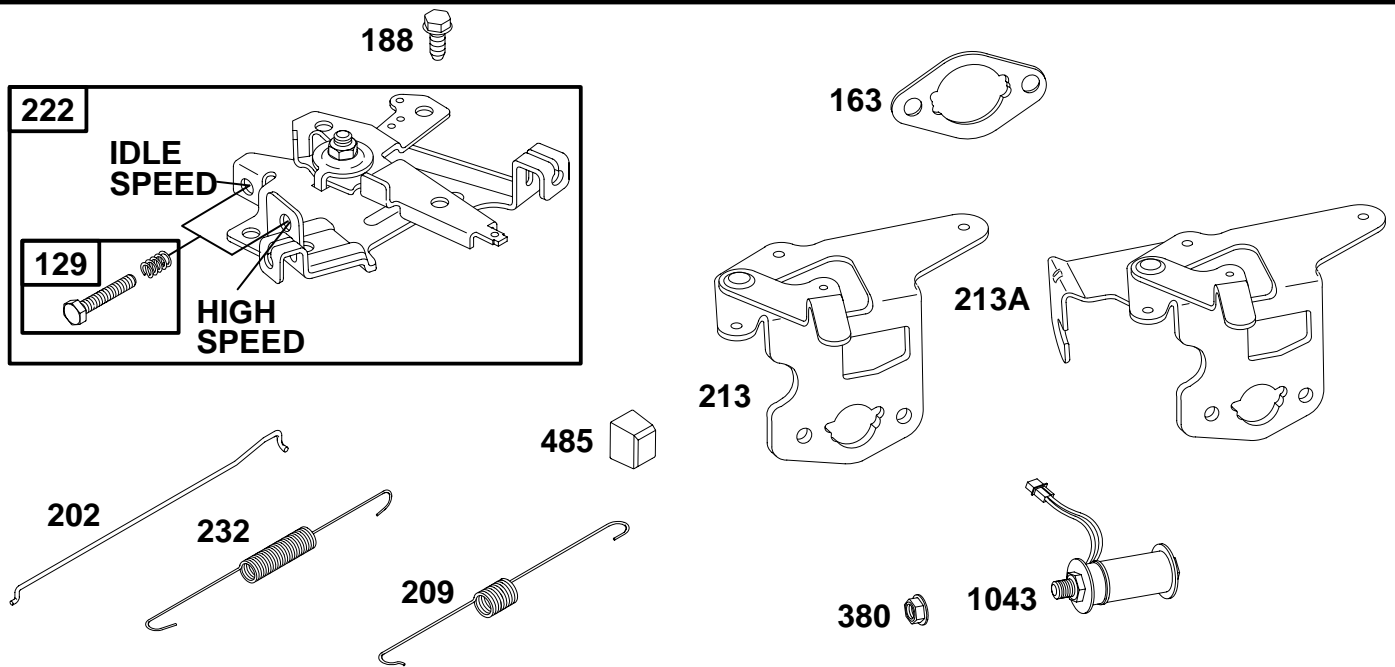
138400 to 138499



REF. NO.	PART NO.	DESCRIPTION	REF. NO.	PART NO.	DESCRIPTION	REF. NO.	PART NO.	DESCRIPTION
51	71060	Gasket-Intake	122	715034	Spacer-Carburetor	255	710678	Bushing-Choke Shaft
95	710672	Screw (Throttle Valve)	125	715473	Carburetor	276	710678	Washer-Sealing (Sold in Kit Only)
97	715480	Shaft-Throttle			Note	637	710678	Washer (Throttle Shaft, Sold in Kit Only)
		Note			715529 Carburetor Used on Type No(s). 0042, 0158.	955	710679	Plug-Carburetor
		715685 Shaft-Throttle Used on Type No(s). 0042, 0158.	130	710671	Valve-Throttle	955A	710900	Plug-Carburetor
98	715478	Kit-Idle Speed	133	715477	Float-Carburetor	975	715476	Bowl-Float
104	710663	Pin-Float Hinge	137	710671	Gasket-Float Bowl (Sold in Kit Only)	1127	710667	Screw (Float Bowl Mounting)
105	710661	Valve-Float Needle	142	710664	Nozzle-Carburetor			
108	710674	Valve-Choke	147	710883	Jet-Pilot			
109	715479	Shaft-Choke			Note			
117	710881	Jet-Main			710720 Pilot Jet (High Altitude)			
		Note	231	710672	Screw (Choke Valve)			
		710719 Jet-Main (High Altitude)						

● Included in Carburetor Overhaul Kit-Ref. No. 121.
 ★ Included in Engine Gasket Set-Ref. No. 358.

◆ Included in Carburetor Gasket Set-Ref. No. 977.
 △ Included in Valve Gasket Set-Ref. No. 1095.

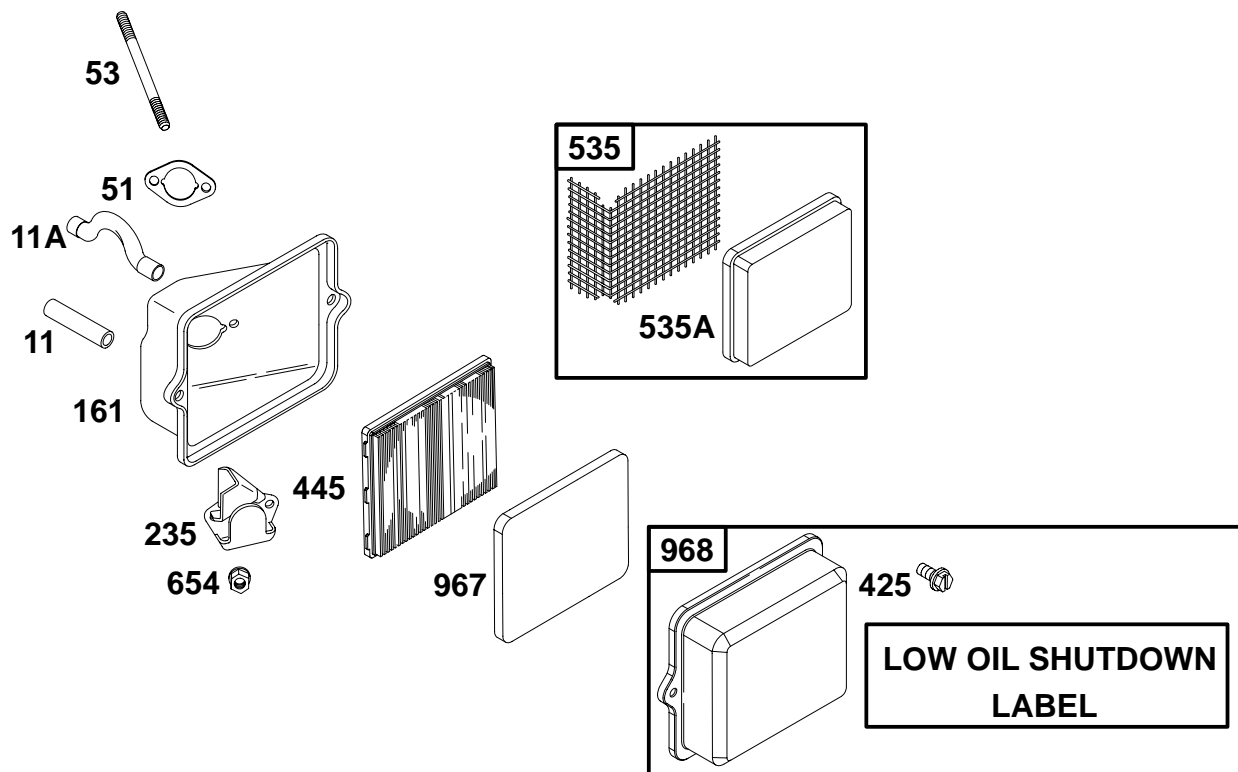


REF. NO.	PART NO.	DESCRIPTION	REF. NO.	PART NO.	DESCRIPTION	REF. NO.	PART NO.	DESCRIPTION
129	715024	Screw/Spring-Governor Speed (High and Idle Speed Adjustment) Note 715170 Screw/Spring-Governor Speed (High and Idle Speed Adjustment) Used on Type No(s). 0038, 0042, 0131, 0132, 0158.	209	710702	Spring-Governor Note 710703 Spring-Governor Used on Type No(s). 0042, 0132, 0158. 710898 Spring-Governor Used on Type No(s). 0038. 710951 Spring-Governor Used on Type No(s). 0152, 0153, 0160.	213A	710731	Bracket-Choke Control Used on Type No(s). 0042, 0157, 0158.
163	710639	Gasket-Air Cleaner	213	710635	Bracket-Choke Control	222	715025	Bracket-Control Note 715046 Bracket-Control Used on Type No(s). 0038, 0042, 0131, 0132, 0158.
188	710057	Screw (Control Bracket)				232	710638	Spring-Governor Link
202	710637	Link-Mechanical Governor				380	710081	Nut (Electro Magnet)
						485	280715	Knob-Control
						1043	692955	Magnet-Electro

● Included in Carburetor Overhaul Kit-Ref. No. 121.
★ Included in Engine Gasket Set-Ref. No. 358.

◆ Included in Carburetor Gasket Set-Ref. No. 977.
△ Included in Valve Gasket Set-Ref. No. 1095.

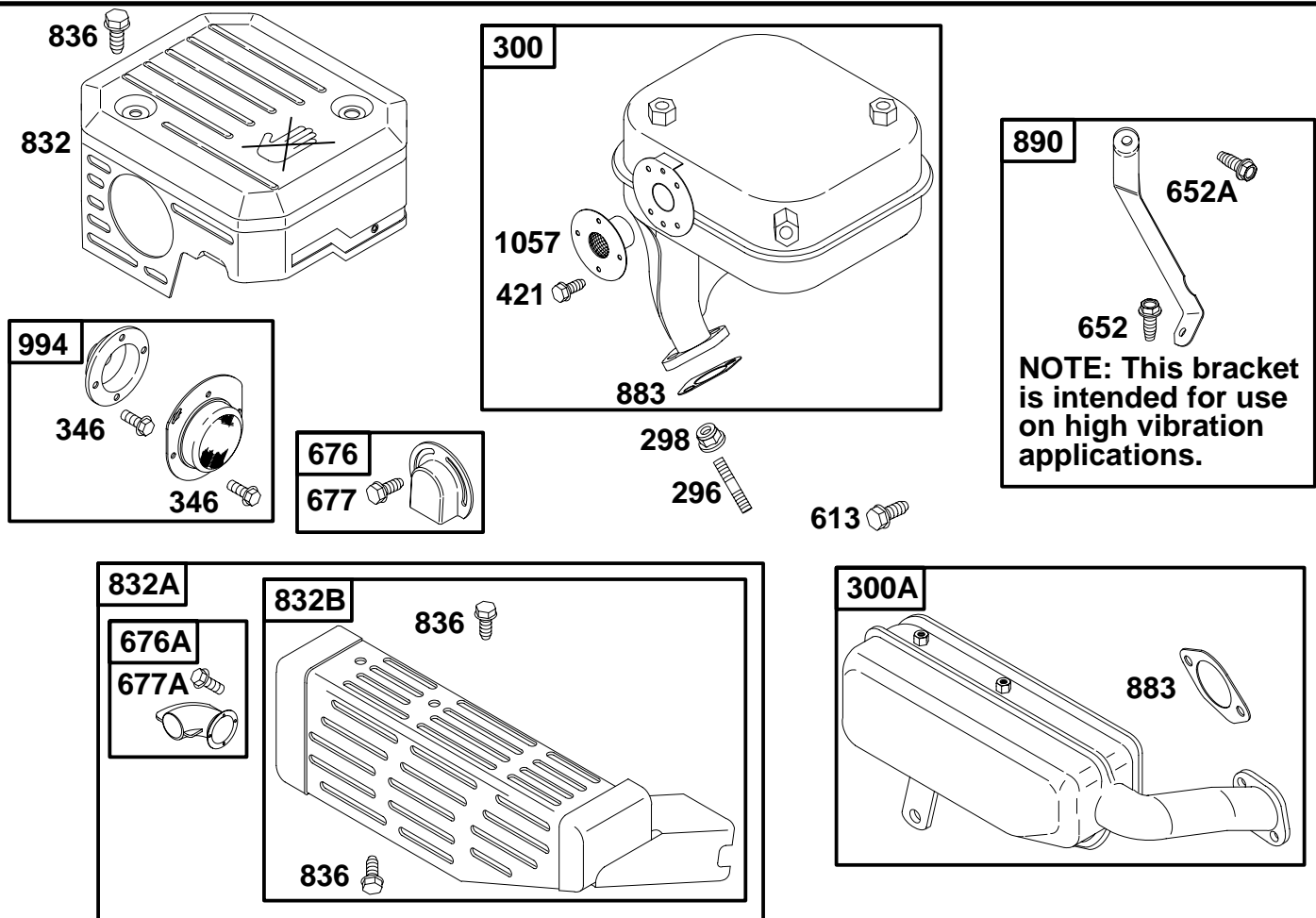
138400 to 138499



REF. NO.	PART NO.	DESCRIPTION	REF. NO.	PART NO.	DESCRIPTION	REF. NO.	PART NO.	DESCRIPTION
11	710115	Tube-Breather	235	710522	Shield-Fuel Spray	535A	691315	Filter-Air Cleaner Foam
11A	710450	Breather Tube Used on Type No(s). 0035, 0042, 0158.	425	694515	Screw (Air Cleaner Cover)	654	710068	Nut (Carburetor)
51	710060	Gasket-Intake	445	491588	Filter-Air Cleaner Cartridge	967	491435	Filter-Pre Cleaner
53	710148	Stud (Carburetor)	535	715511	Filter-Air Cleaner Foam	968	692321	Cover-Air Cleaner
161	710521	Base-Air Cleaner						

● Included in Carburetor Overhaul Kit-Ref. No. 121.
 ★ Included in Engine Gasket Set-Ref. No. 358.

◆ Included in Carburetor Gasket Set-Ref. No. 977.
 △ Included in Valve Gasket Set-Ref. No. 1095.

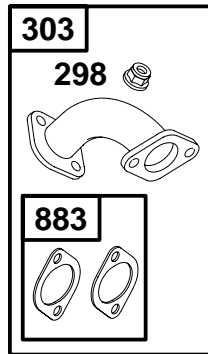
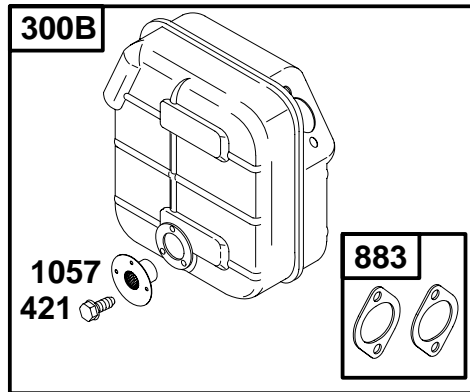
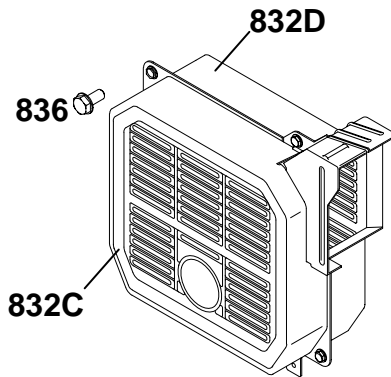


REF. NO.	PART NO.	DESCRIPTION	REF. NO.	PART NO.	DESCRIPTION	REF. NO.	PART NO.	DESCRIPTION
296	710099	Stud (Muffler)	652	710248	Screw (Support Bracket)	832	710656	Guard-Muffler
298	710090	Locknut-Muffler/Elbow	652A	710057	Screw (Support Bracket)	832A	710952	Guard-Muffler
300	715508	Muffler	676	715230	Deflector-Muffler	832B	715708	Guard-Muffler
300A	715710	Muffler	676A	715709	Deflector-Muffler	836	710074	Screw (Muffler Guard)
346	690661	Screw (Spark Arrester)	677	690661	Screw (Muffler Deflector)	883	Δ*710082	Gasket-Exhaust
421	710307	Screw (Outlet Screen)	677A	710307	Screw (Muffler Deflector)	890	715319	Bracket-Support
613	710954	Screw (Muffler)				994	715491	Arrestor-Spark
						1057	710329	Screen-Outlet

● Included in Carburetor Overhaul Kit-Ref. No. 121.
 ★ Included in Engine Gasket Set-Ref. No. 358.

◆ Included in Carburetor Gasket Set-Ref. No. 977.
 Δ Included in Valve Gasket Set-Ref. No. 1095.

138400 to 138499

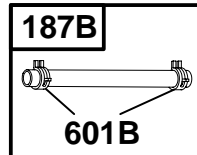
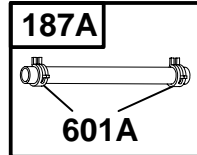
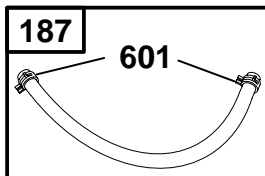
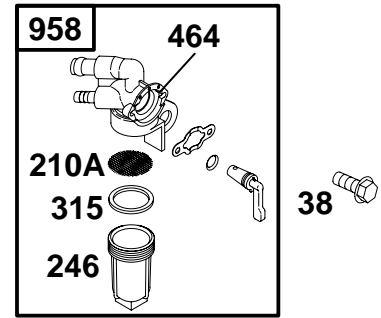
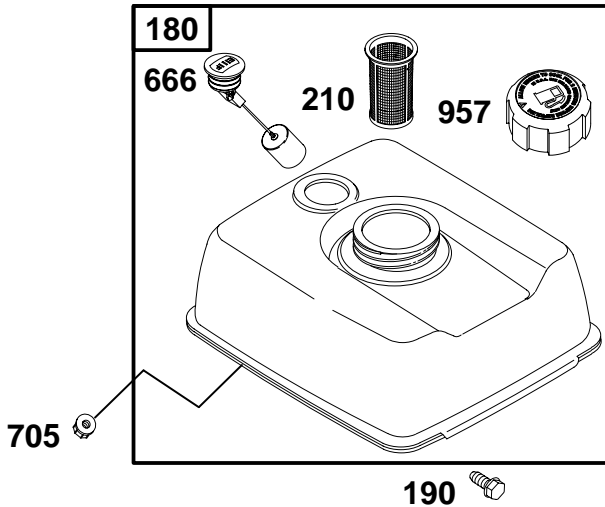


NOTE: This muffler is intended for replacement purposes only and is not to be used for retrofitting to engines with different exhaust systems.

REF. NO.	PART NO.	DESCRIPTION	REF. NO.	PART NO.	DESCRIPTION	REF. NO.	PART NO.	DESCRIPTION
298	710090	Locknut—Muffler/Elbow	421	710307	Screw (Outlet Screen)	836	710074	Screw (Muffler Guard)
300B	715602	Muffler (Low Mount)	832C	710793	Guard—Muffler (Low Mount, Front)	883	Δ*710082	Gasket—Exhaust
303	715603	Elbow—Exhaust (Low Mount)	832D	710794	Guard—Muffler (Low Mount, Rear)	1057	710329	Screen—Outlet

● Included in Carburetor Overhaul Kit—Ref. No. 121.
 ★ Included in Engine Gasket Set—Ref. No. 358.

◆ Included in Carburetor Gasket Set—Ref. No. 977.
 Δ Included in Valve Gasket Set—Ref. No. 1095.

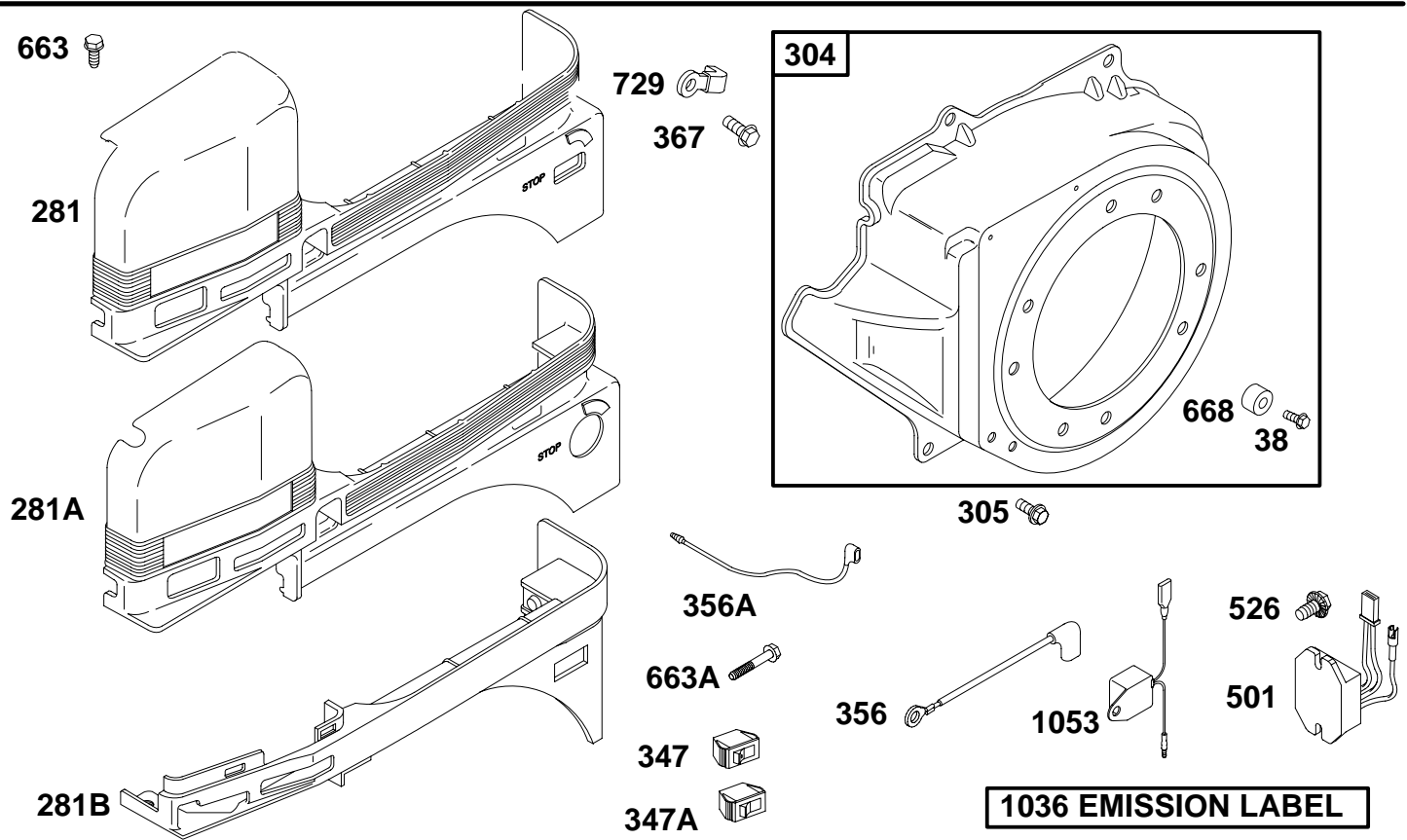


REF. NO.	PART NO.	DESCRIPTION	REF. NO.	PART NO.	DESCRIPTION	REF. NO.	PART NO.	DESCRIPTION
38	710160	Screw (Fuel Shut Off Valve)	187A	715029	Line-Fuel (4mm ID) (Shut Off Valve To Carburetor)	246	710070	Bowl-Fuel Filter
180	715431	Tank-Fuel	187B	298049	Line-Fuel (0.25 in. ID) (Carburetor To Filter) (Cut to Required Length)	315	★710072	O-Ring Seal (Filter Bowl)
		Note	190	710023	Screw (Fuel Tank)	464	★710069	O-Ring Seal (Fuel Shut Off Valve)
		715663 Tank-Fuel Used on Type No(s). 0159, 0166.	210	710065	Strainer-Fuel	601	710067	Clamp-Hose
		715691 Tank-Fuel Used on Type No(s). 0120, 0131, 0144, 0147, 0152, 0153.	210A	710071	Strainer-Fuel	601A	710075	Clamp-Hose
187	715070	Line-Fuel (8mm ID) (Fuel Tank To Shut Off Valve)	240	298090	Filter-Fuel	601B	95162	Clamp-Hose
						666	710066	Gauge-Fuel
						668	710159	Spacer
						705	710068	Nut (Fuel Tank)
						957	710490	Cap-Fuel Tank
						958	715027	Valve-Fuel Shut Off

● Included in Carburetor Overhaul Kit-Ref. No. 121.
★ Included in Engine Gasket Set-Ref. No. 358.

◆ Included in Carburetor Gasket Set-Ref. No. 977.
△ Included in Valve Gasket Set-Ref. No. 1095.

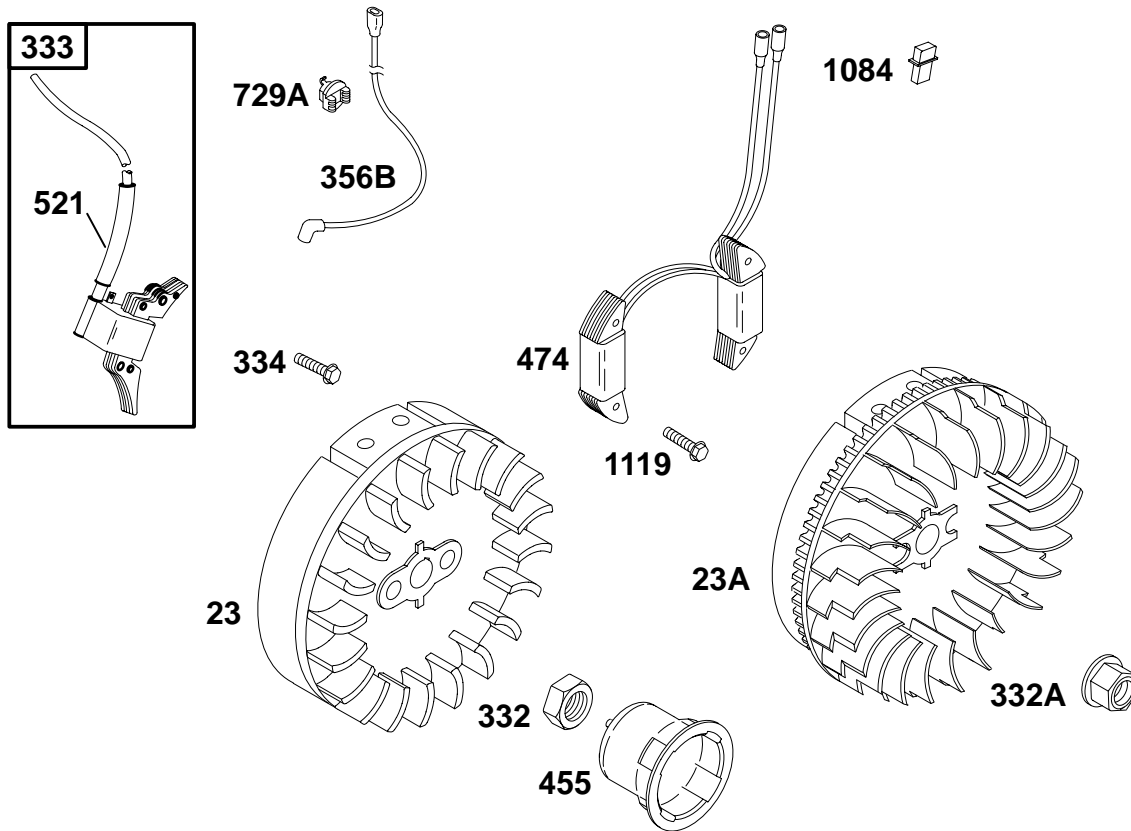
138400 to 138499



REF. NO.	PART NO.	DESCRIPTION	REF. NO.	PART NO.	DESCRIPTION	REF. NO.	PART NO.	DESCRIPTION	
38	710160	Screw (Fuel Shut Off Valve)	304	715465	Housing—Blower	356	710120	Wire—Stop	
281	710646	Panel—Control Used on Type No(s). 0035, 0038, 0047, 0120, 0127, 0131, 0132, 0133, 0144, 0145, 0147, 0152, 0153, 0157, 0158, 0159, 0160, 0166.			Note	356A	710087	Wire—Stop	
281A	710647	Panel—Control Used on Type No(s). 0084, 0155, 0284.			715466	Housing—Blower Used on Type No(s). 0084, 0155.	367	710023	Screw (Wire Clip)
281B	710733	Panel—Control Used on Type No(s). 0042			715599	Housing—Blower Used on Type No(s). 0131, 0132, 0144, 0145, 0152, 0160.	501	394890	Regulator Used on Type No(s). 0140, 0169, 0284.
					715688	Housing—Blower Used on Type No(s). 0140, 0284.	526	710057	Screw (Regulator)
					715732	Housing—Blower Used on Type No(s). 0169.	663	710234	Screw (Control Panel)
			305	710023	Screw (Blower Housing)	663A	710095	Screw (Control Panel)	
			347	493521	Switch—Rocker (Without Lamp)	668	710159	Spacer	
			347A	495098	Switch—Rocker (With Lamp)	729	710083	Clip—Wire	
						1036	710956	Label—Emissions (Used After Code Date 99093000).	
								Note	
								710879	Label—Emissions (Used Before Code Date 99100100).
						1053	710305	Module—Oil Gard®	

● Included in Carburetor Overhaul Kit—Ref. No. 121.
★ Included in Engine Gasket Set—Ref. No. 358.

◆ Included in Carburetor Gasket Set—Ref. No. 977.
△ Included in Valve Gasket Set—Ref. No. 1095.



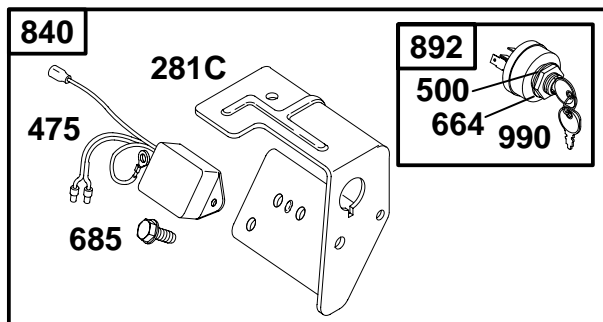
REF. NO.	PART NO.	DESCRIPTION	REF. NO.	PART NO.	DESCRIPTION	REF. NO.	PART NO.	DESCRIPTION
23	715429	Flywheel Note 715598 Flywheel Used on Type No(s). 0131, 0132, 0144, 0145, 0152, 0160, 0169.	332A	710345	Nut (Flywheel)	455	710277	Cup-Flywheel Note 710366 Cup-Flywheel Used on Type No(s). 0072, 0131, 0132, 0144, 0145, 0146, 0152, 0160.
23A	715430	Flywheel Used on Type No(s). 0155. Note 715687 Flywheel Used on Type No(s). 0140, 0284. 715733 Flywheel Used on Type No(s). 0169.	333	715464	Armature-Magneto Note 692955 Armature-Magneto Used on Type No(s). 0042, 0158. 715023 Armature-Magneto Used on Type No(s). 0084, 0140, 0155, 0169, 0284.	474	715255	Alternator (4 Amp) Used on Type No(s). 0155. Note 715194 Alternator (10 Amp) Used on Type No(s). 0284.
332	710048	Nut (Flywheel)	334	710047	Screw (Magneto Armature)	521	710045	Shield-Cable
			356B	710324	Wire-Stop Note 710931 Wire-Stop Used on Type No(s). 0141.	729A	710046	Clip-Wire
						1084	710386	Connector-Terminal
						1119	710047	Screw (Alternator)

● Included in Carburetor Overhaul Kit-Ref. No. 121.
 ★ Included in Engine Gasket Set-Ref. No. 358.

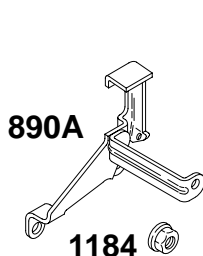
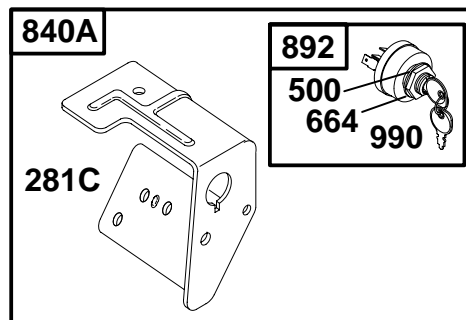
◆ Included in Carburetor Gasket Set-Ref. No. 977.
 △ Included in Valve Gasket Set-Ref. No. 1095.

138400 to 138499

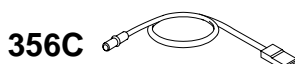
652 



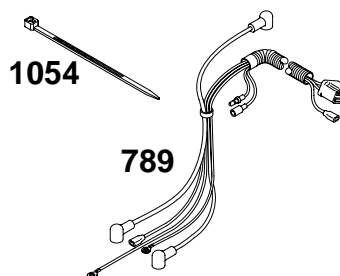
652 



663A 



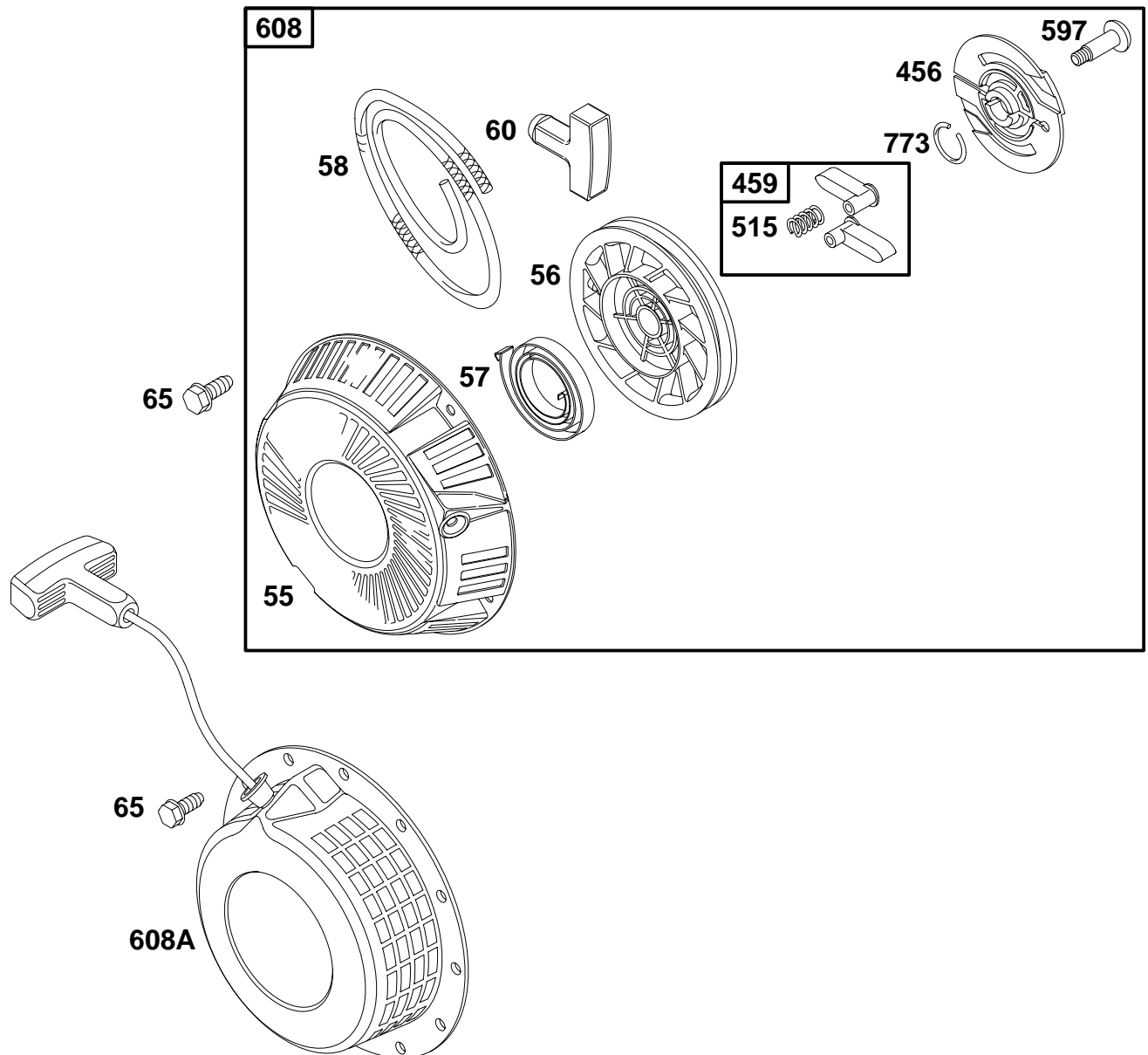
663A 



REF. NO.	PART NO.	DESCRIPTION	REF. NO.	PART NO.	DESCRIPTION	REF. NO.	PART NO.	DESCRIPTION
281C	710658	Panel—Control	664	93837	Nut (Keyswitch)	890A	710644	Bracket—Support
356C	710890	Wire—Stop Used on Type No(s). 0169, 0284.	685	710089	Screw (Rectifier)	892	493625	Switch—Key (Includes Keys)
475	715200	Rectifier	789	710645	Harness—Wiring	990	392832	Key Set
500	93836	Washer (Keyswitch)	840	715432	Kit—Panel Used on Type No(s). 0155.	1054	710349	Tie—Cable
652	710074	Screw (Support Bracket)	840A	715689	Kit—Panel Used on Type No(s). 0169, 0284.	1184	710068	Nut (Support Bracket)
663A	710074	Screw (Control Panel)						

● Included in Carburetor Overhaul Kit—Ref. No. 121.
★ Included in Engine Gasket Set—Ref. No. 358.

◆ Included in Carburetor Gasket Set—Ref. No. 977.
△ Included in Valve Gasket Set—Ref. No. 1095.

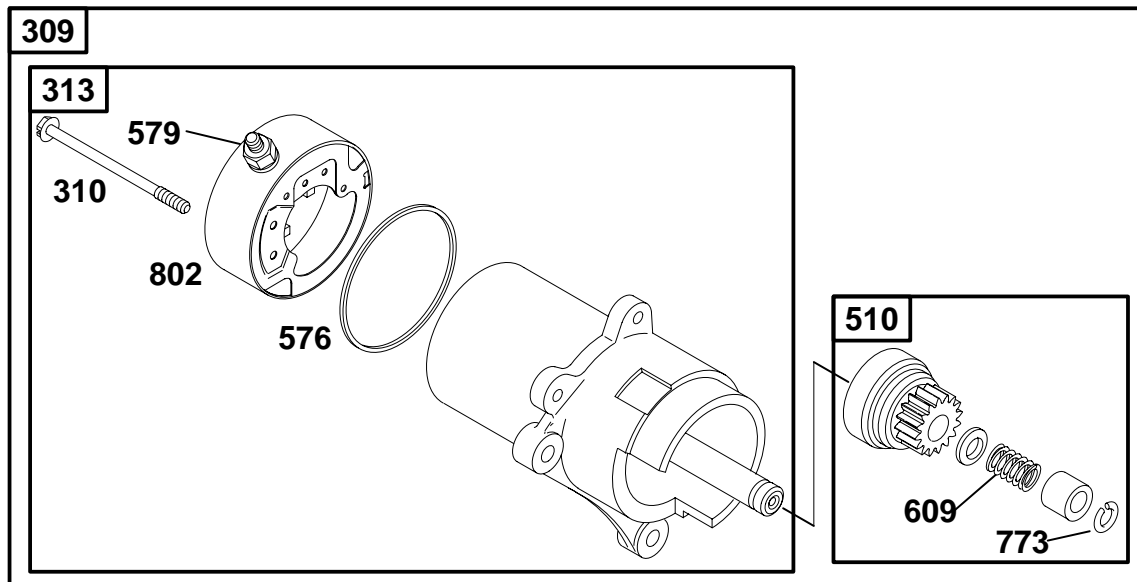
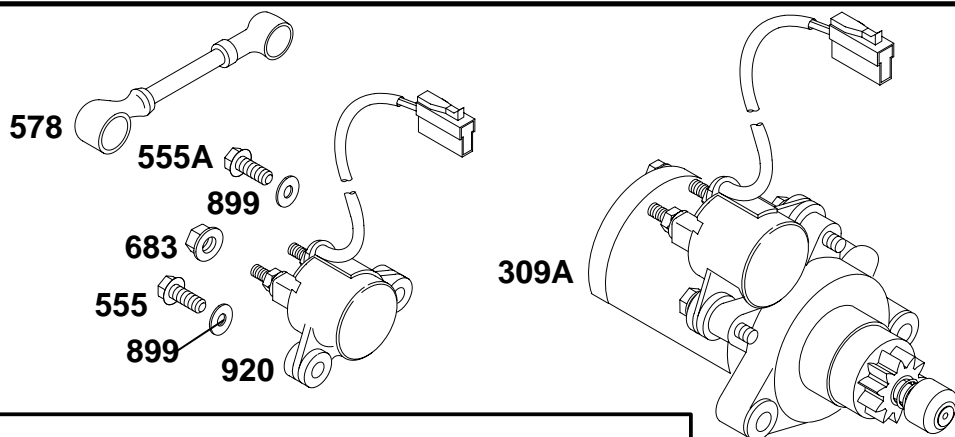


REF. NO.	PART NO.	DESCRIPTION	REF. NO.	PART NO.	DESCRIPTION	REF. NO.	PART NO.	DESCRIPTION
55	715132	Housing-Rewind Starter	65	710074	Screw (Rewind Starter)	608A	715128	Starter-Rewind Used on Type No(s). 0131, 0132, 0144, 0145, 0146, 0152, 0160, 0169.
56	710274	Pulley-Starter	456	710272	Plate-Pawl Friction			Include(s):
57	710270	Spring-Rewind Starter	459	715256	Pawl-Ratchet			710366 Cup-Flywheel
58	66574	Rope-Starter (Cut to Required Length)	515	805953	Spring-Pawl	773	690875	Retainer
60	490652	Grip-Starter Rope	597	805955	Screw (Pawl Friction Plate)			
			608	715133	Starter-Rewind			

● Included in Carburetor Overhaul Kit-Ref. No. 121.
 ★ Included in Engine Gasket Set-Ref. No. 358.

◆ Included in Carburetor Gasket Set-Ref. No. 977.
 △ Included in Valve Gasket Set-Ref. No. 1095.

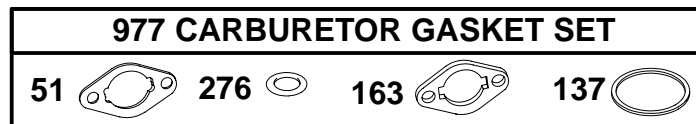
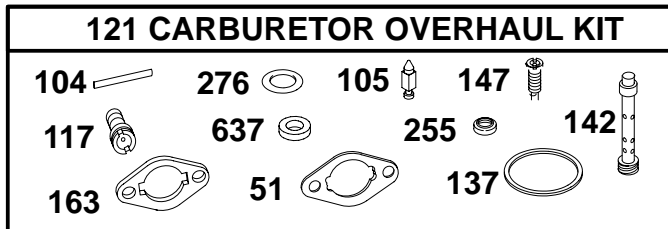
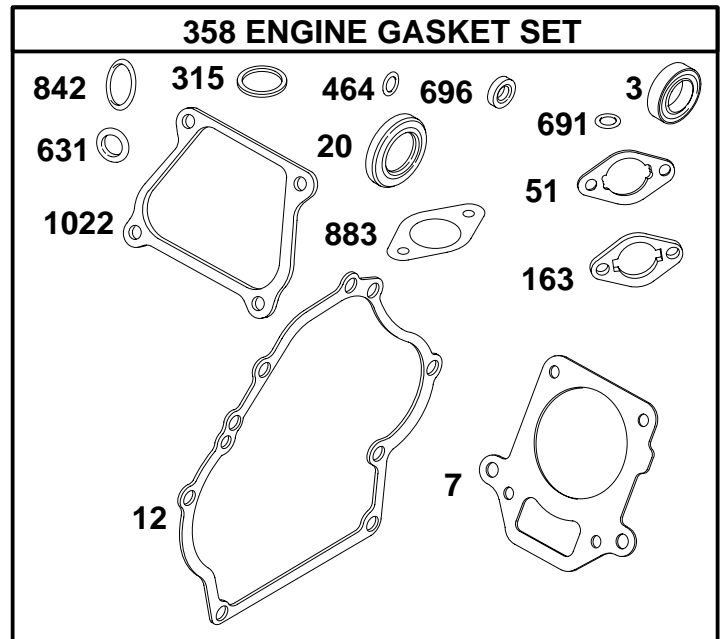
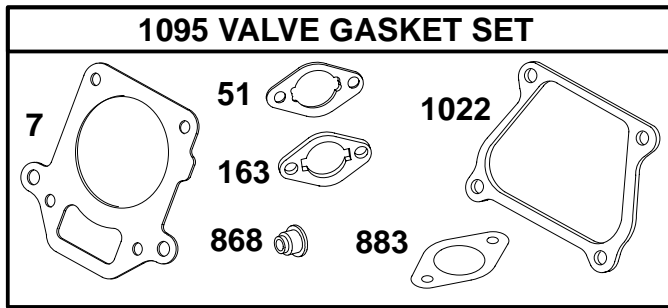
138400 to 138499



REF. NO.	PART NO.	DESCRIPTION	REF. NO.	PART NO.	DESCRIPTION	REF. NO.	PART NO.	DESCRIPTION
309	715413	Motor-Starter	555	710360	Screw (Starter Solenoid)	683	710362	Nut (Starter Solenoid)
309A	715734	Motor-Starter Used on Type No(s). 0169.	555A	710891	Screw (Starter Solenoid)	773	710359	Retainer
310	710354	Bolt (Starter Motor)	576	710610	O-Ring Seal (Starter Sub Assembly)	802	715195	Cap-End (Includes Brush Set)
313	715408	Starter Sub Assembly	578	715198	Wire Assembly	899	710361	Washer (Starter Solenoid)
413	710081	Nut (Starter Motor)	579	710362	Nut (Starter Cable)	920	715197	Solenoid-Starter
510	715196	Drive-Starter	609	710357	Spring-Starter Drive	1009	710348	Screw (Starter Motor)
527	710100	Clamp-Tube						

● Included in Carburetor Overhaul Kit-Ref. No. 121.
★ Included in Engine Gasket Set-Ref. No. 358.

◆ Included in Carburetor Gasket Set-Ref. No. 977.
△ Included in Valve Gasket Set-Ref. No. 1095.



REF. NO.	PART NO.	DESCRIPTION	REF. NO.	PART NO.	DESCRIPTION	REF. NO.	PART NO.	DESCRIPTION
3	★710000	Seal—Oil (Magneto Side)	137	◆	Gasket—Float Bowl (Sold in Kit Only)	631	★710004	Washer (Oil Drain Plug)
7	★Δ710624	Gasket—Cylinder Head	142	●710664	Nozzle—Carburetor	637	●	Washer (Throttle Shaft, Sold in Kit Only)
12	★710628	Gasket—Crankcase	147	●710883	Jet—Pilot	691	★710055	Seal—Governor Shaft
20	★710215	Seal—Oil (PTO Side)	163	◆	Gasket—Air Cleaner	696	★710091	O—Ring Seal (Oil Sensor)
		Note	255	●710678	Bushing—Choke Shaft	842	★710029	O—Ring Seal (Dipstick)
		★710788 Seal—Oil (PTO Side)	276	◆	Washer—Sealing (Sold in Kit Only)	868	Δ710863	Seal—Valve (Used After Code Date 99073100).
		Used on Type No(s). 0131, 0132, 0144, 0145, 0152, 0160, 0169,	315	★710072	O—Ring Seal (Filter Bowl)			Note
51	◆	Gasket—Intake	358	715482	Gasket Set—Engine			Δ710019 Seal—Valve (Used Before Code Date 99080100),
104	●710663	Pin—Float Hinge			715690 Gasket Set—Engine	883	★Δ710082	Gasket—Exhaust
105	●710661	Valve—Float Needle			Used on Type No(s). 0131, 0132, 0144, 0145, 0152, 0160, 0169,	977	715485	Gasket Set—Carburetor
117	●710881	Jet—Main	464	★710069	O—Ring Seal (Fuel Shut Off Valve)	1022	★Δ710626	Gasket—Rocker Cover
121	715484	Kit—Carburetor Overhaul				1095	715483	Gasket Set—Valve

● Included in Carburetor Overhaul Kit—Ref. No. 121.
★ Included in Engine Gasket Set—Ref. No. 358.

◆ Included in Carburetor Gasket Set—Ref. No. 977.
Δ Included in Valve Gasket Set—Ref. No. 1095.